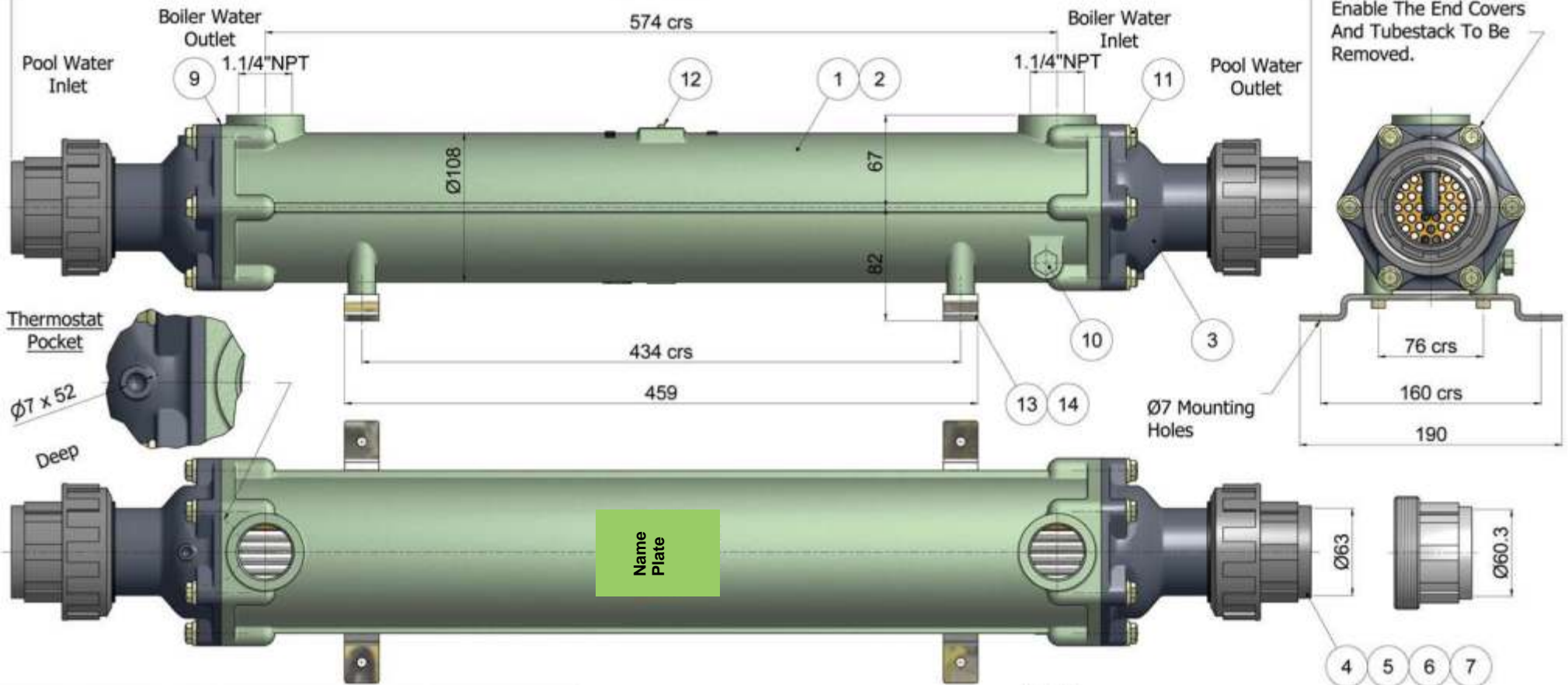


REV	DESCRIPTION	DATE	BY
1	1.1/4"NPT To 1/4"NPT	3/20/09	D.S.
2	Green Bush (BS) Added	11/20/09	D.S.

### Model 5103-5 Swimming Pool Heat Exchanger

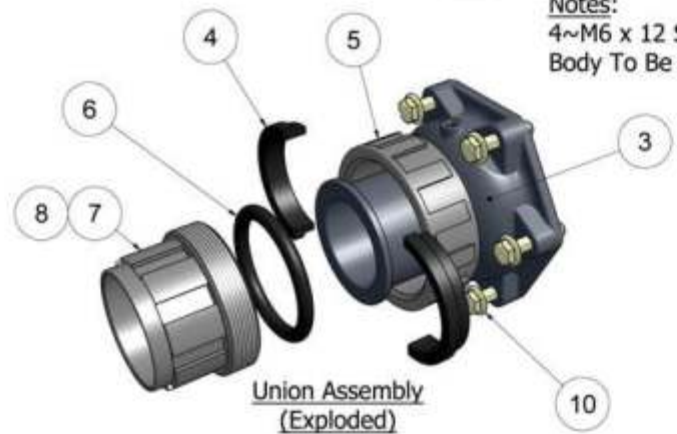
942 Overall



6~Flange Screws M8 x 35  
Removal Of These Will  
Enable The End Covers  
And Tubestack To Be  
Removed.

Notes:  
4~M6 x 12 Socket Screws Supplied Fitted Into Mounting Feet.  
Body To Be Painted Swimming Pool Green.

M6 x 12	4	Socket Screws	14	MS	
4154	2	Mounting Feet	13	SS	
3594	1	Nameplate	12	Brass	
M8 x 35	12	Flange Screws	11	MS	
1/4"BSP	915	1 Drain Plug	10	Brass	
	0546NT	2 Seals	9	Nitrile	
		2 Union Bush (BS)	8	PVC	
		2 Union Bush (Metric)	7	PVC	
	5138	2 Union Seals	6	EPDM	
		2 Union Nuts	5	GFN	
	4572	4 Split Rings	4	GFN	
	4575	2 End Covers	3	GFN	
	5089-5TN2P	1 Tubestack FC160	2	CN10	
FC74	4668-5N	1 Body FC160	1	CI	
Part No.	Drq No.	Qty	Description	Item	Material



ALL DIMENSIONS ARE IN MILLIMETRES

DRWING	DATE	13/05/2009	TITLE	5103-5
REVISION	DATE		CHECKED	DRG No.
			SCALE	1:1

SEC Heat Exchangers  
1-800-335-6650