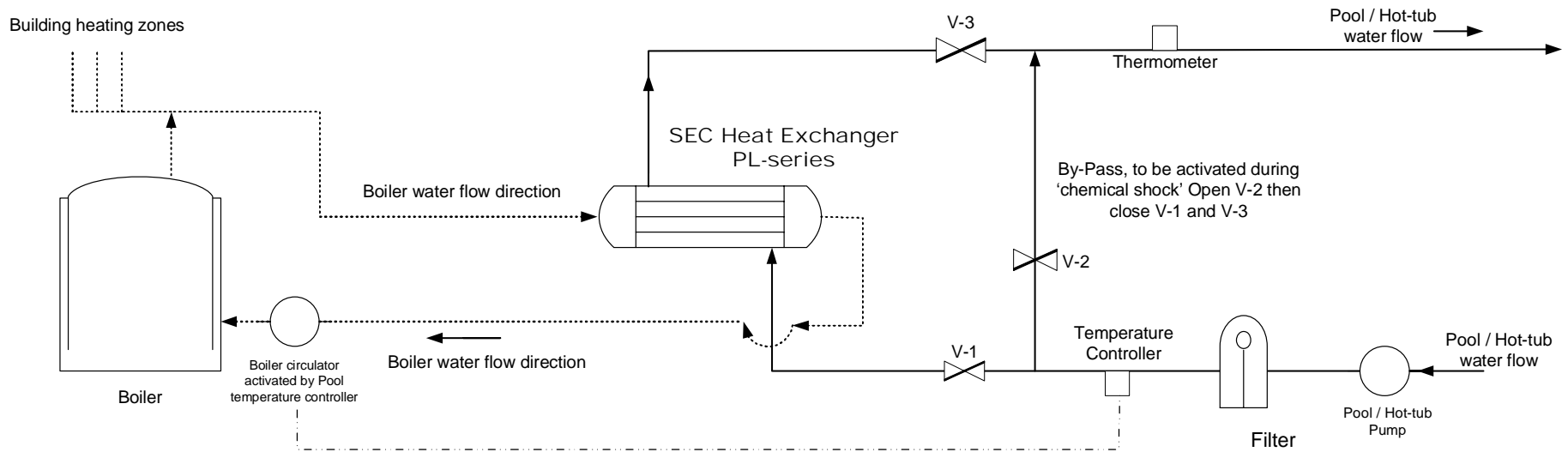


Sample Installation Diagram for use with Swimming Pools and Hot-tubs



NOTES:

- damage to the heat exchanger due to improper water chemistry is not covered under the S.E.C. warranty.
- Chlorine feeder, if installed. **MUST** be located downstream of the heat exchanger, and be installed with an anti-siphoning device, to prevent chlorine from backing up into the heat exchanger.
- This is only a conceptual drawing provided as a guide. Actual installation must comply with local code requirements.
- A qualified installer, certified to local regulations, must assess each individual installation and design a working system which will operate in accordance with the suggested installation diagram and these notes.

S.E.C. Heat Exchangers
Systems Equipment Corporation
2546 Iona Road, Belfast
Prince Edward Island Canada C0A-1A0

Tel; 902-659-2424 Fax; 902-659-2800 www.heatexchangers.ca